

Model AF300

--300cm long



Create Your Unique Fire Space From Here...

Art Fireplace Technology Limited.

PROFESSIONAL INTELLIGENT FIREPLACE MANUFACTURER

Official Website: www.art-fire.com

E-mail: info@art-fireplace.com

Address: ROOM1405C,14/F., LUCKY CENTRE,165-171 WANCHAI ROAD, WANCHAI,
HONG KONG.

TECHNICAL DATA: AF300

Remote controlled Ethanol Burner (300 cm 118.11 in)

Flame 263.7cm (103.80 in) width

Electronic ignition and security detectors

- 1, Technical details
- 2, Dimensions of the burner
- 3, Minimum dimensions of safety
- 4, Operating Procedure



1. TECHNICAL DETAILS

<1>Automatic ignition ordered by electrodes. ON/OFF switch and remote control.

<2>Automatic injection function into the tank.

<3>Security detectors which stop the burner in case of abnormal operation.

<4>Security detectors: CO², heat, burner level, tank level, level of filling.

<5>LED display: operating time, error messages and beep sounds.

<6>Stainless steel ethanol burner. Thickness of the top plate 3 mm.

<7>Electronically managed Swedish Electric pump for filling the burner (from the medical field)

Adapter: 12 V / 100-240 V (50-60 Hz) Output: 22 600 W

Tank capacity: 40.00 L Net Weight: 95 KG

Consumption: 4.5 liter/hour

Dimensions: 300 / 24 / 21.5 cm (118.11 / 9.45 / 8.46 in)

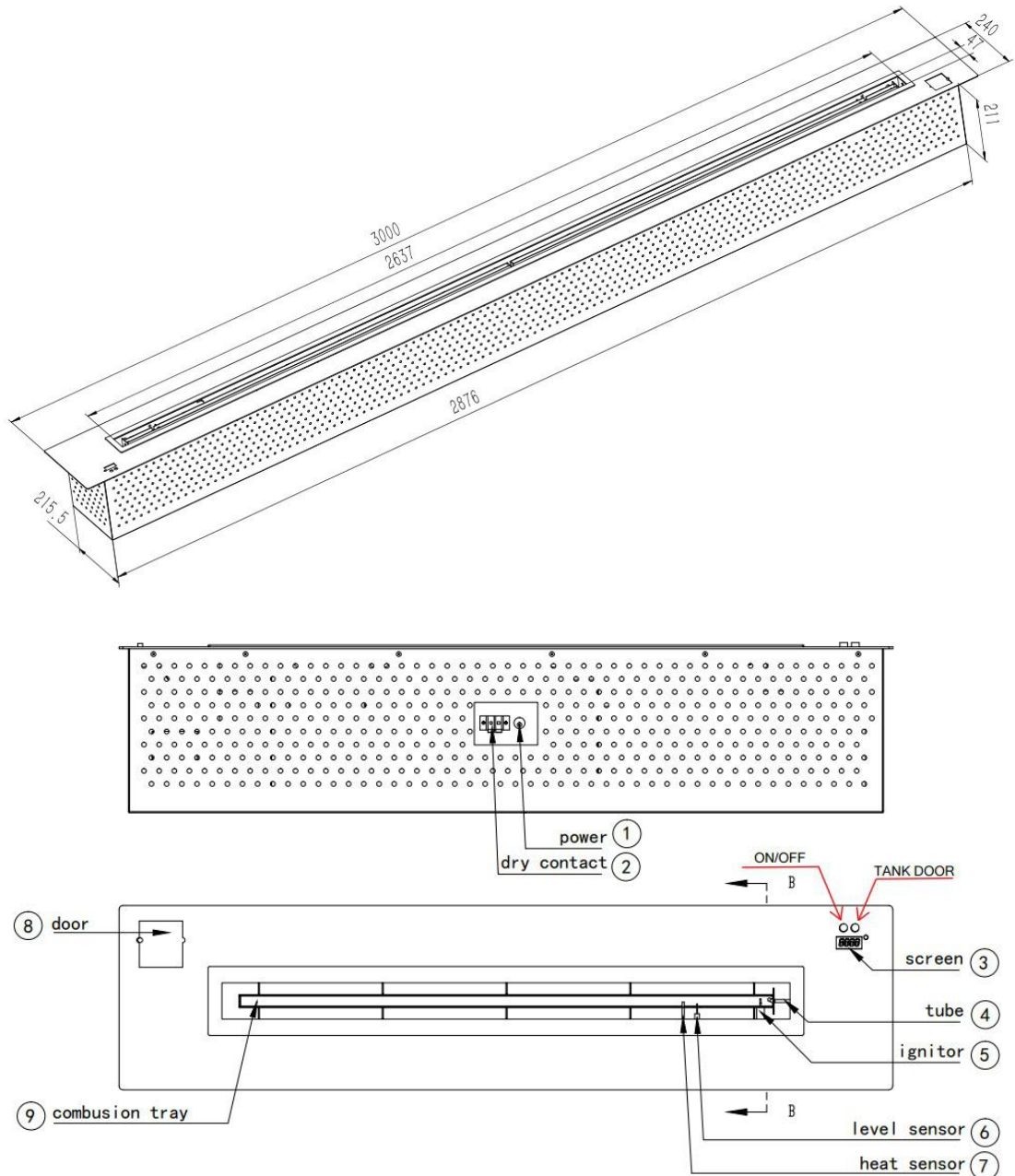
TECHNICAL DATA: AF300

Remote controlled Ethanol Burner (300 cm 118.11 in)

Flame 263.7cm (103.80 in) width

Electronic ignition and security detectors

2. DIMENSIONS OF THE BURNER



- 1, Before connecting electronic power to the burner, close the tank door well.
- 2, Connect electronic power to the burner, then wait 3 second, and then operate the burner.
- 3, If you want to turn on the burner, Keep pressing the On/Off button 5 seconds or press the remote controller.

TECHNICAL DATA: AF300

Remote controlled Ethanol Burner (300 cm 118.11 in)

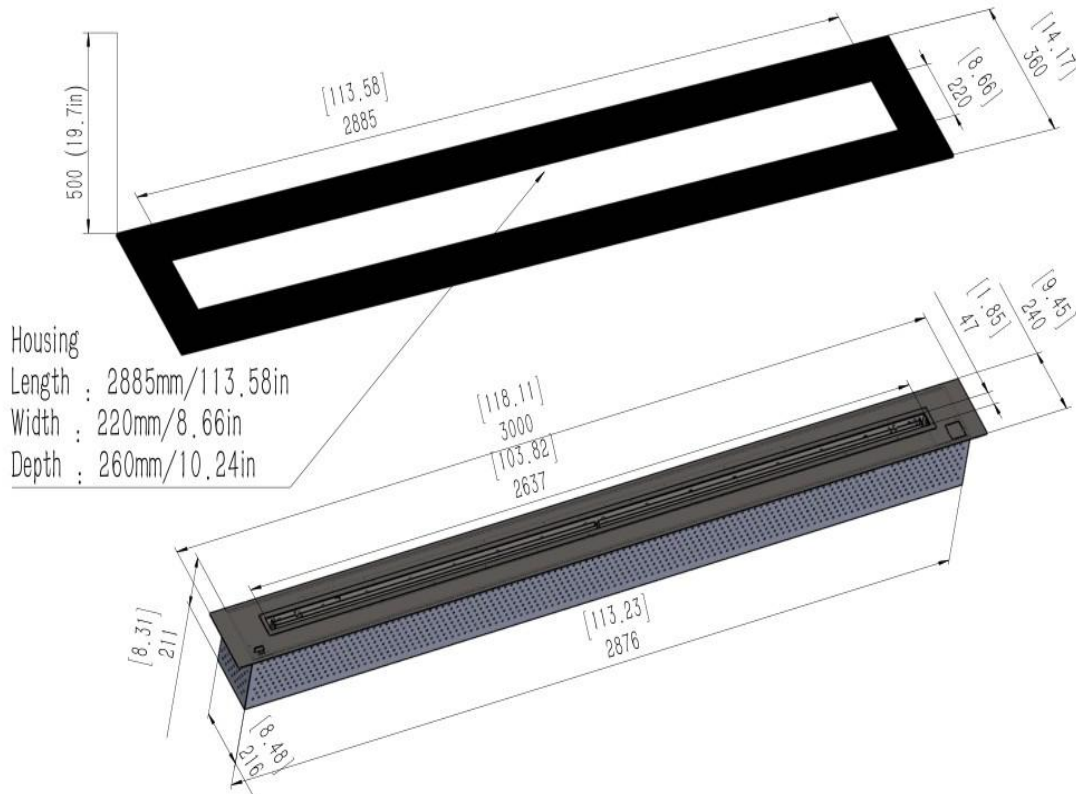
Flame 263.7cm (103.80 in) width

Electronic ignition and security detectors

3. MINIMUM DIMENSIONS OF SAFETY

Minimum dimensions of safety with non-flammable materials

Above: 50 cm 19.7 inches. Edges: 7 cm 2.75 inches. Back side: 7cm 2.75 inches.



4. OPERATING PROCEDURE

<1>Power supply

Connect the provided 12V adapter



Make sure there is power supply socket inside the box before insert the burner.

TECHNICAL DATA: AF300

Remote controlled Ethanol Burner (300 cm 118.11 in)

Flame 263.7cm (103.80 in) width

Electronic ignition and security detectors

<2>Installation

Insert the ethanol burner



Make sure there is power supply socket inside the box before insert the burner.

<3>Automatic and Manual Injection

Use only bio ethanol 95 – 97%

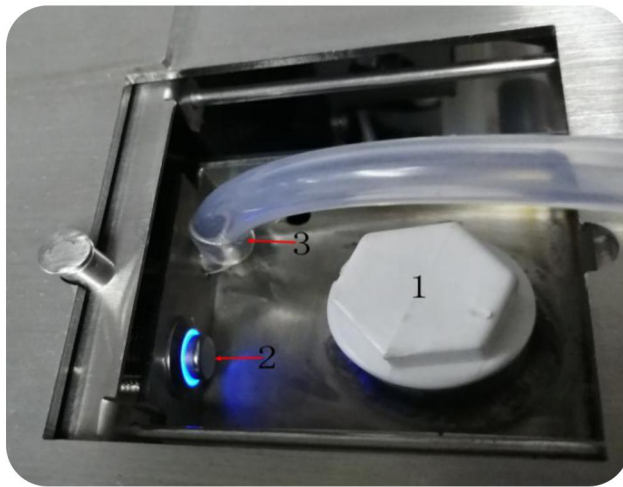
Press on the tank door button 2.

The door is unlocked, open the door, remove the cap and fill the tank with a fuel.

When the tank is full, a beep warns you and a message FULL/SHUT is displayed on the LED screen.

Put the cap back on and close the door of the tank Well.

After 5 seconds the door will be automatically locked.



Automatic Injection Function:

Use a plastic tube to connect the burner 3 and the external ethanol tank.

Keep pressing the button 2 three seconds, the light will turn blue and the ethanol will be pumped into the burner.

When the burner is full, the automatic injection will stop and the light will turn off.

Pull out the tube and Close the tank door.

Manual Injection Function:



2. Button to open the door of the tank.

Attention: Never fill the burner directly or fill the ethanol tank.
<4> Press the remote control, the switch or the remote button to ignite or switch off the burner.



PROFESSIONAL INTELLIGENT FIREPLACE SUPPLIER

ART FIREPLACE TECHNOLOGY LIMITED.

Email: info@art-fireplace.com

Address: ROOM1405C, 14/F., LUCKY CENTRE, 165-171 WANCHAI ROAD, WANCHAI, HONG KONG.

Thank you For Reading.