



CONTEMPORARY GAS STOVES

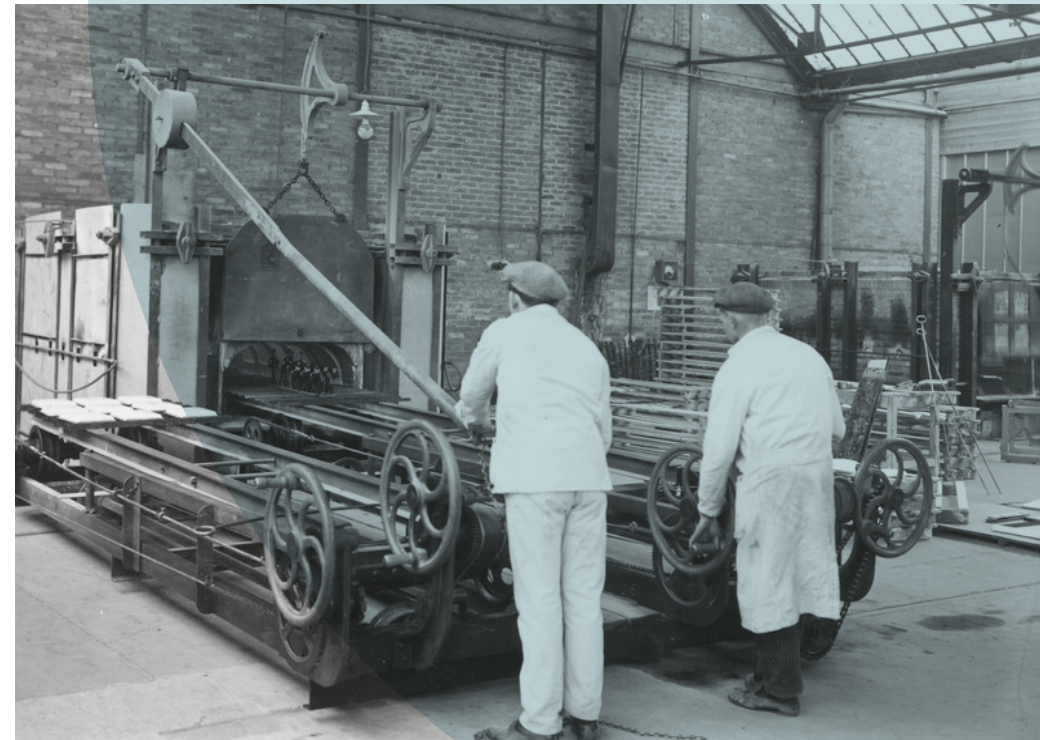


*Depuis 1854*

# Tradition meets innovation

Our ancestral tradition designing and manufacturing heating appliances has always been coupled with a spirit of technological innovation, and every stove in the Contemporary Gas Collection by Nestor Martin carries with it a technical expertise and an integrity which is unrivalled.

Introducing the new Contemporary Gas Collection, we open a new era in the history of Nestor Martin. A new concept of fire and its integration in contemporary design.



# The comforts of gas

**NESTOR  
MARTIN**

*Depuis 1854*

As a choice of fuels, gas offers outstanding efficiency and a convenience which is unrivalled. At the touch of a button, radiant heat and a lively flame will warm your home for a lifetime. For added convenience, a remote control allows you to command flame height at a distance; the stove responds immediately to changes in temperature settings. The remote control also acts as a thermostat and allows you to program a desired temperature at a set time.

The Nestor Martin gas stoves require very little maintenance to function properly, allowing you to heat for an entire season without even opening the door of the stove. Moreover, they require no electricity, so even during a power failure you are assured even, consistent heat.

## OUTSTANDING FEATURES

### **Remote control**

Programmable thermostatic remote control is a standard feature of every Nestor Martin gas appliance, so the tempo of the fire will intensify or slow down at the touch of a button, or at a pre-set time. This feature allows the gas stove to be set on low fire for the night, and turn itself up automatically thirty minutes before it's time to wake up in the morning, for example.

### **Automatic ignition**

No need to get on your hands and knees to manually light the pilot. Nestor Martin's gas stoves feature automatic ignition, so the stove can be lit or extinguished using the remote control.

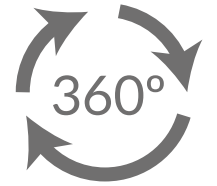
### **Working door**

Nestor Martin gas stoves have a working door to facilitate cleaning and maintenance, while keeping a perfect seal for air tightness.

# THS 15

Capable of rotating 360° and featuring a front and rear glass, the **THS 15** allows for an optimal fire view, so you can enjoy the dancing flames from any location in the room.

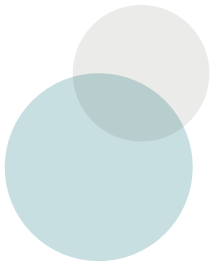






# FHS 15

The **FHS 15** model features a fixed stand and a front glass.  
Its slim design makes it perfect to install next to a wall, requiring little space.







# TQH 15



Stoves in the TQH line are less compact, but boast a higher heating output. They integrate in any ambiance, giving the fire an elegant and discreet presence.

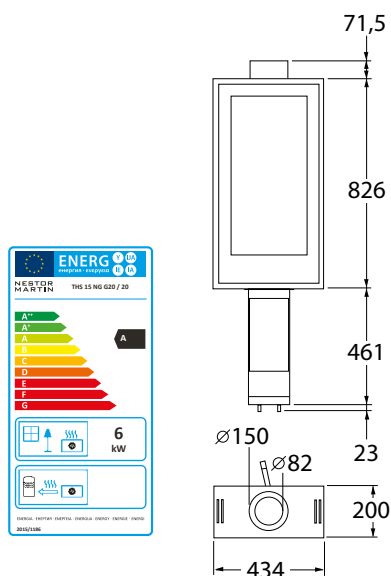




# TQH 35

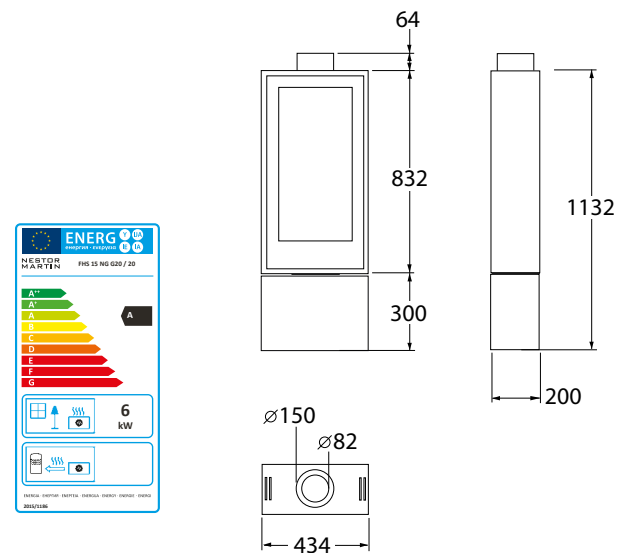


# TECHNICAL DATA



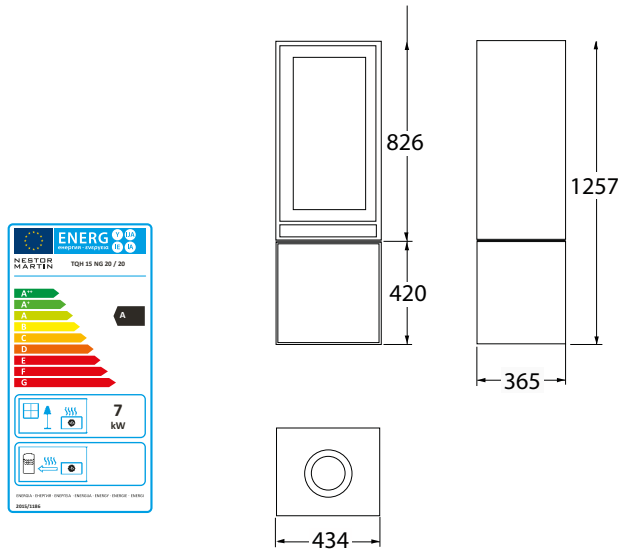
**THS 15 (G20-20 mbar)**

Height [mm]	1300
Width [mm]	434
Depth [mm]	200
Weight [kg]	87
Heat output (Max / Min) [kW]	6 / 2
Flue exit diameter [mm]	100/150
CE Norm	EN-613
Efficiency [%]	class 1 (≥82%)
ECO Label classification	A



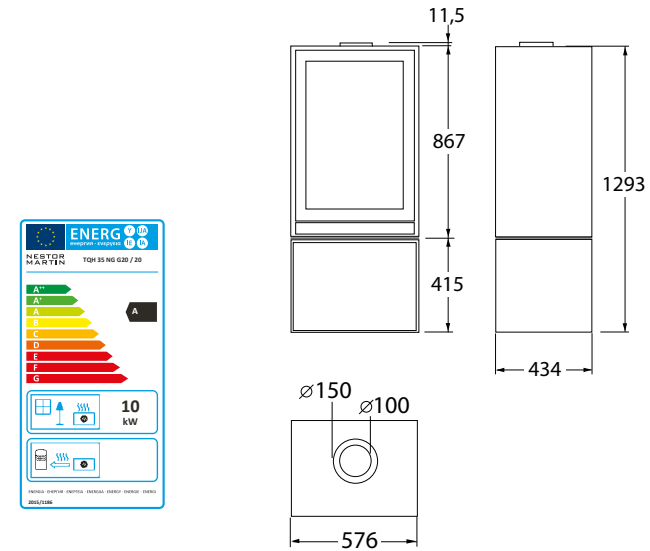
**FHS 15 (G20-20 mbar)**

Height [mm]	1109
Width [mm]	434
Depth [mm]	200
Weight [kg]	103
Heat output (Max / Min) [kW]	6 / 2
Flue exit diameter [mm]	100/150
CE Norm	EN-613
Efficiency [%]	class 1 (≥82%)
ECO Label classification	A



### TQH 15 (G20-20 mbar)

Height [mm]	1257
Width [mm]	434
Depth [mm]	365
Weight [kg]	139
Heat output (Max/ Min) [kW]	7 / 2,5
Flue exit diameter [mm]	100/150
CE Norm	EN-613
Efficiency [%]	class 1 (≥82%)
ECO Label classification	A



### TQH 35 (G20-20 mbar)

Height [mm]	1293
Width [mm]	576
Depth [mm]	434
Weight [kg]	195
Heat output (Max/ Min) [kW]	10 / 3,5
Flue exit diameter [mm]	100/150
CE Norm	EN-613
Efficiency [%]	class 1 (≥82%)
ECO Label classification	A

contemporary  
gas

**NESTOR  
MARTIN**

*Depuis 1854*

5, Rue du Lion. 5660 Couvin - Belgique

[www.nestormartinstoves.com](http://www.nestormartinstoves.com)

